

MMI-8000 Series Touch Screens

The XD-Indexer interfaces with ORMEC's MMI-8000 series of flat panel touch screens. Two compact and economical options are the MMI-8050 and MMI-8070 which have diagonal screen sizes of 4.3" and 7.0" respectively. These screens are color TFT LCD displays.

Displays present machine functions such as:

- setup
- maintenance
- product run changes
- operational status
- operational control
- fault conditions

These easy-to-use graphical operator displays provide alerts for machine alarms and status conditions

Operator control can be built into the MMI-8000 representing a conventional factory operator panel, without additional bulky hardware, I/O modules and wiring.

Each individual display can be designed and built quickly using the "drag and drop" graphical objects found in the EasyBuilder 8000 application development utility.

The HMI panels have on-board non-volatile memory and an optional flash memory card. These are used for storage and retrieval of both machine set-up parameters and product recipes.

Each MMI-8000 unit is shipped with EasyBuilder 8000 development software. The latest version of the EasyBuilder 8000 software is available for download from the ORMEC web site, www.ormec.com



ORMEC's touch screen operator interfaces provide a fully graphical, easy to use human-machine interface.

Operation

Communication with an ORMEC XD-Indexer is through Ethernet using Modbus/TCP.

Screen objects are assigned to registers in the Indexer and can display current values from the servo drive. They can also be used to set values in the drive's registers for

motion parameters, triggering motions from the motion table, jogging the motor, homing the motor, turning on drive outputs, clearing fault conditions, and more.

Ordering Guide

Operator Interface Terminals

MMI-8050*	4.3" diagonal, 480w x 272h pixels, TFT Color, Ethernet
MMI-8070*	7.0" diagonal, 800w x 480h pixels, TFT Color, Ethernet

Each Operator Interface unit includes EasyBuilder 8000 development software and Ethernet crossover cable.

** 16 x 9 wide screen format.*

Ethernet Cables and Accessories

EISK5-100T	Ethernet Switch, 100BASE-T, 5 port, 24 VDC input, DIN rail mount
CBL-ENET/x	Cable, Ethernet, RJ45, 3, 7, 10, 25, 50, 75, & 100 ft
CBL-ENETX/x	Cable, Ethernet, crossover, RJ45, 3, 7, 10 & 25 ft

Development Software

EasyBuilder 8000 included and downloadable.

Graphical Panel Objects

- Pilot Light (Bit Lamp)
- Word Lamp
- Force Coil (Set Bit)
- Write Register (Set Word)
- Toggle Switch
- Multi-State Switch
- Function Key
- Numeric Input
- Numeric Display
- ASCII Data
- ASCII Display
- Moving Shape
- Animation
- Indirect Window
- Direct Window
- Alarm Display
- Trend Display
- XY Plot
- Bar Graph
- Meter Display
- Alarm Bar
- Recipe Upload/Download
- Event Display

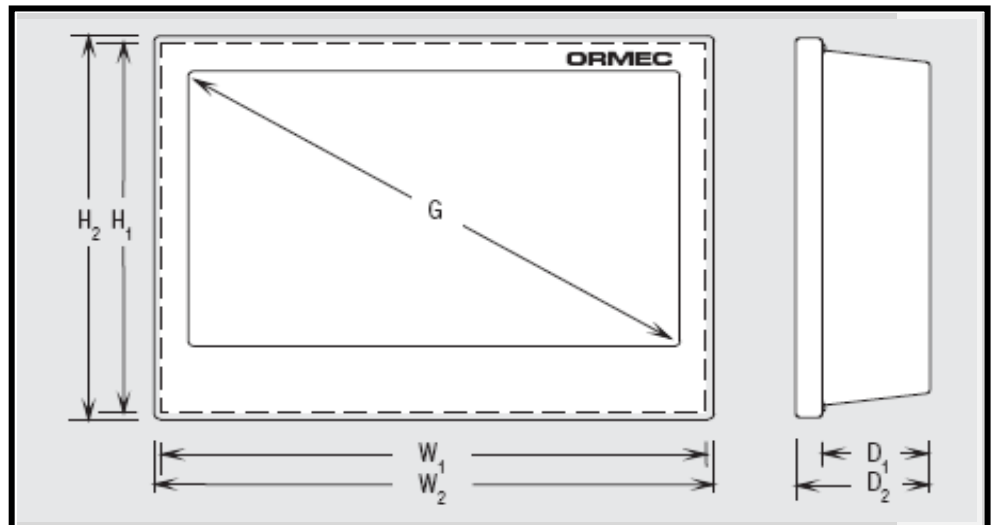
LED Indicators

Each MMI-8000 unit has three status indicator LEDs to assist with installation and troubleshooting.

PWR - Indicates the unit has power.

CPU - Indicates that the processor is operating properly.

COM - Flashes during Ethernet communications.



	Dimension	8050	8070
Mounting & Cutout	G	4.3" 109 mm	7.0" 178 mm
	H1	3.66" 93 mm	5.43" 138 mm
	W1	4.69" 119 mm	7.56" 192 mm
	D1	1.27" 32 mm	1.4" 36 mm
Overall	H2	4.02" 102 mm	5.76" 146 mm
	W2	5.04" 128 mm	7.89" 200 mm
	D2	1.51" 38.25 mm	1.68" 43 mm

Mounting & Sealing

MMI-8000 units are cabinet mounted, and feature a gasket and four or six mounting brackets to maintain a NEMA 4 rating.

CE Mark

All MMI-8000 units are CE Marked, indicating compliance with European Union directives EN 55081-2 and EN50082-2.

General Specifications

Touch panel type	Resistive	Temperature		Weight	
Color Type	TFT 65536 color	Operating	0C to 45C	MMI-8050	.66 lbs (0.3 kg)
Display Resolution		Storage	-10C to 60C	MMI-8070	1.9 lbs (0.85 kg)
MMI-8050	480w x 272h pixels	Relative Humidity			
MMI-8070	800w x 480h pixels	Operating	10% to 90% non-condensing		
Installation		Storage	5% to 85% non-condensing	Input Power	24 Volt DC +/- 5%
All sizes	Cabinet mount	Enclosure Ratings	NEMA 4/IP65 front panel (O-ring seals).	MMI-8050	250 mA
Vibration	10 to 25Hz 2Gs on each x,y,z plane for 30 min.	EMI	Complies with FCC Class A	MMI-8070	250 mA
		CE	Complies with EN50081-2 and EN50082-2		